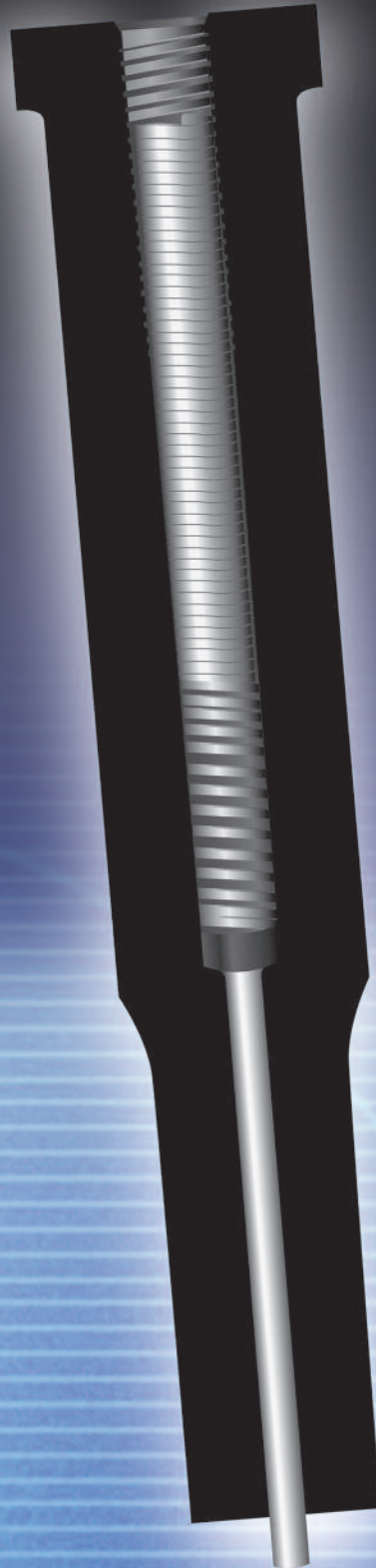
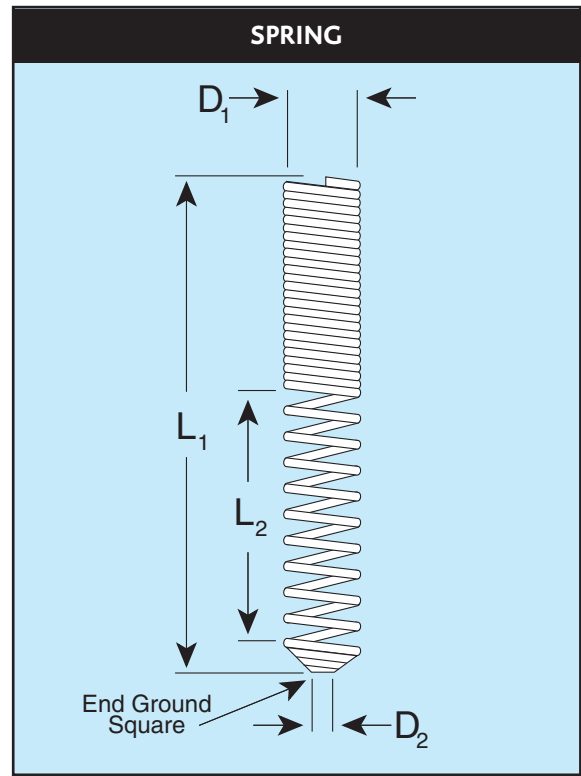
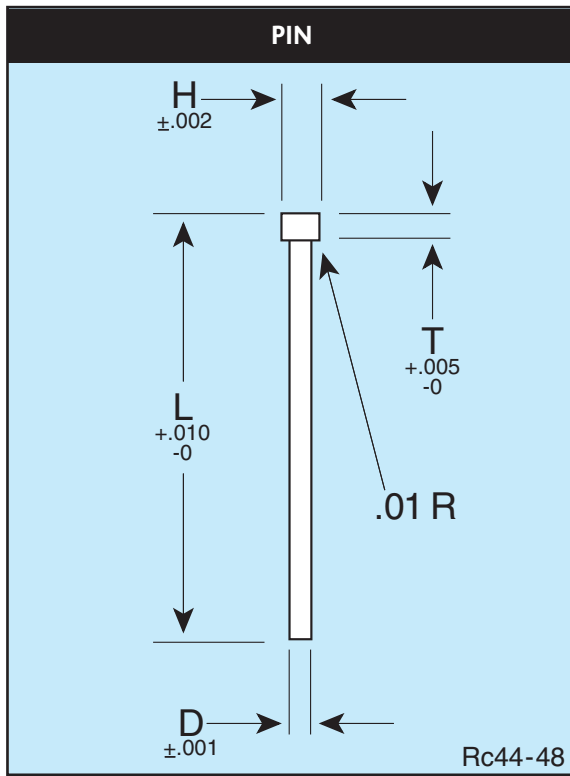




OEM Ejector Punch Components





PIN	DIMENSIONS				PRICING				
	D	H	T	L	500	1,000	2,500	5,000	10,000
PEC-05	0.017	0.048	0.031	1.11	\$0.47	\$0.42	\$0.38	\$0.34	\$0.30
PEC-10	0.022	0.062	0.031	2.00	\$0.43	\$0.38	\$0.34	\$0.30	\$0.27
PEC-20	0.027	0.062	0.047	2.00	\$0.36	\$0.32	\$0.28	\$0.25	\$0.27
PEC-29	0.027	0.073	0.047	2.00	\$0.36	\$0.32	\$0.28	\$0.25	\$0.23
PEC-42	0.041	0.094	0.062	2.00	\$0.36	\$0.32	\$0.28	\$0.25	\$0.23
PEC-60	0.058	0.120	0.062	2.00	\$0.37	\$0.33	\$0.29	\$0.26	\$0.24
PEC-90	0.089	0.156	0.094	2.25	\$0.43	\$0.38	\$0.34	\$0.30	\$0.27
PEC-120	0.120	0.188	0.094	2.25	\$0.56	\$0.50	\$0.46	\$0.43	\$0.40

SPRING	DIMENSIONS				PRELOAD IN LBS. AT 1/8"	PRICING				
	D1	D2	L1	L2MAX		500	1,000	2,500	5,000	10,000
PEC-10	0.067	0.057	2.40	0.60	0.58	\$0.28	\$0.221	\$0.169	\$0.141	\$0.118
PEC-20	0.080	0.057	2.40	0.70	0.50	\$0.28	\$0.221	\$0.169	\$0.141	\$0.118
PEC-29	0.102	0.068	2.40	0.75	0.75	\$0.27	\$0.208	\$0.160	\$0.133	\$0.111
PEC-42	0.134	0.090	3.20	0.75	1.0	\$0.28	\$0.217	\$0.167	\$0.140	\$0.117
PEC-60	0.162	0.115	3.00	0.75	1.5	\$0.29	\$0.223	\$0.171	\$0.143	\$0.119
PEC-90	0.211	0.150	3.05	0.75	2.0	\$0.32	\$0.239	\$0.185	\$0.153	\$0.128
PEC-120	0.270	0.183	2.56	0.75	2.0	\$0.47	\$0.365	\$0.281	\$0.234	\$0.195

